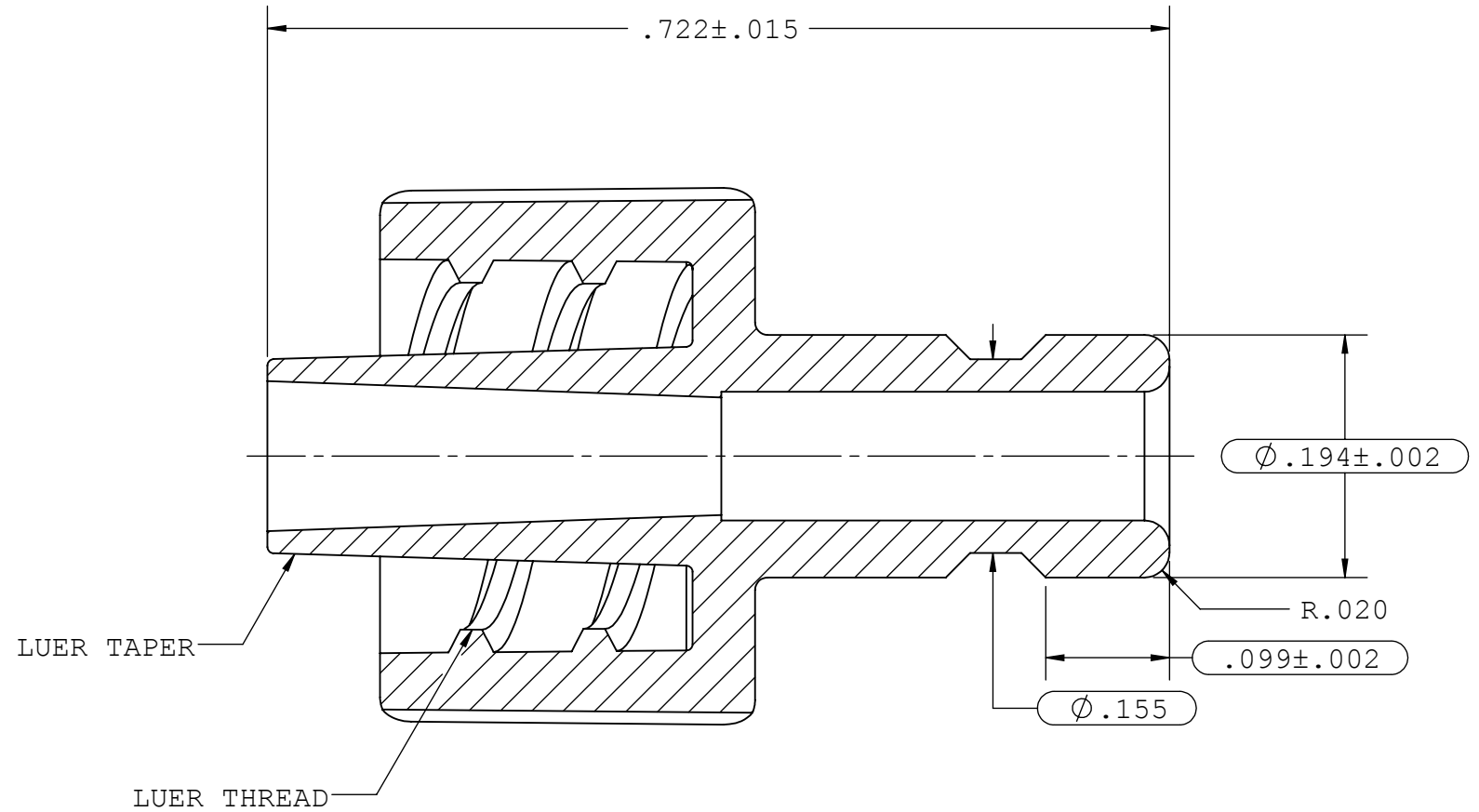
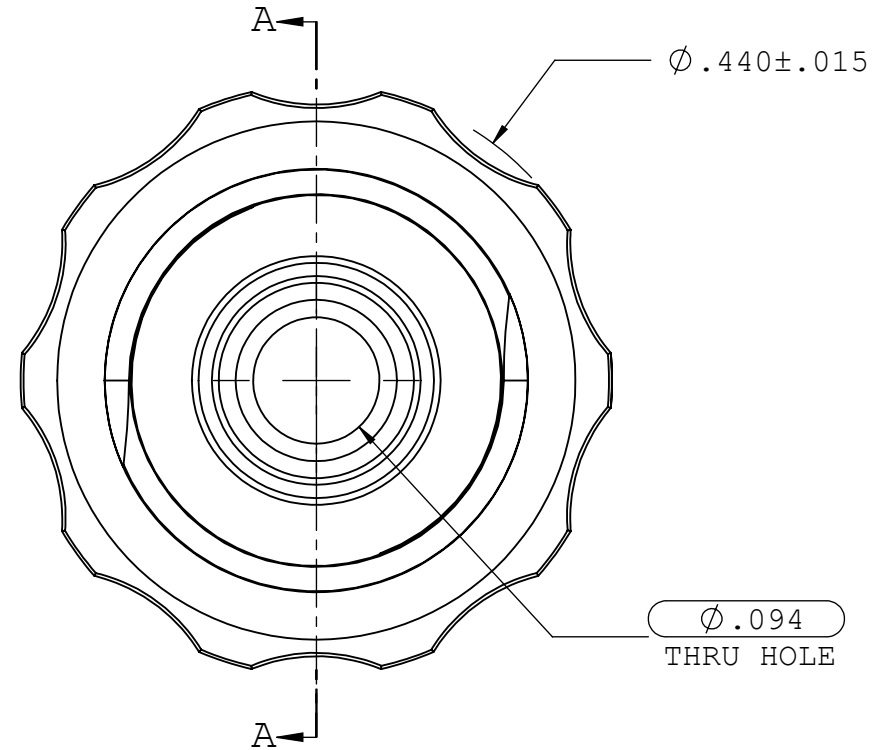
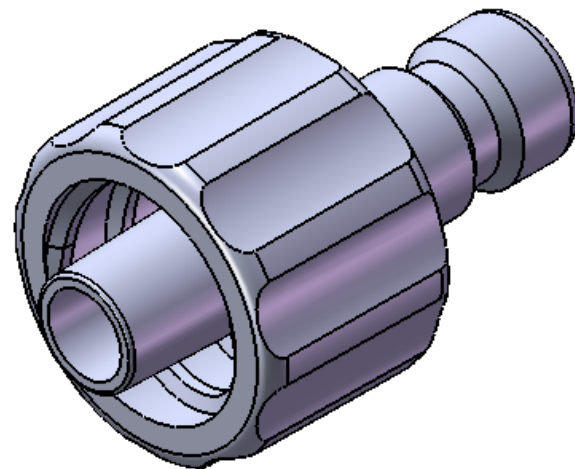


NOTES: FOR MORE DETAILS SEE YOUR V.P. SERVICE REP.

REVISIONS			
REV.	DESCRIPTION	DATE	APPROVED
A	INITIAL RELEASE	04-21-05	
B	CO 018 Drafting Update	09-09-05	Rick C.
C	ECO 104	02-02-09	S.N.R



SECTION A-A



UNLESS OTHERWISE SPECIFIED DIMENSIONS ARE IN INCHES TOLERANCES ARE:		VALUE PLASTICS, INC				
FRACTIONS	DECIMAL					ANGULAR
\pm	.XX $\pm .01$	$\pm 1^\circ$	DESCRIPTION:	Blood Pressure Monitor Connector Bayonet to Male Luer Integral Lock Ring		
	.XXX $\pm .005$		DRAWN BY:	Frank.Lombardi		
	.XXXX $\pm .001$		DATE:	2/2/2009		
DO NOT SCALE DRAWING		SIZE:	SCALE:	VER:	DWG. NO.	REV
NEW PRODUCT DEVELOPMENT MGR:		B	NTS		1006879	C
R. Narayanan		© 2008 VALUE PLASTICS, INC			SHEET: 1 OF 1	

FOR REFERENCE ONLY